



ITEM	STANDARD
L*W*H (mm)	7,190x2,240x2,900/3,070 (with A/C)
Engine	Cummins Euro V / Cummins Euro III
Fuel type	Diesel
Transmission	Eaton six-gear MT
Maximum number of seats	27+1/25+1/16+1
Handling	LHD / RHD
Suspension	Few-leaf spring
Axle	Front axle 3.5T, rear axle 6T
Auxiliary brake	Exhaust brake / eddy current retarder
Braking safety	ABS/ESC
Passenger door	Single door / double doors
Fuel tank	120L
Tire	235/75R17.5
A/C	16000kcal/h, compressor of renowned brand
Interior trimming dominant tone	Business gray -Basic version Rhine white - luxury version
Others	Rhine white Interior trimming, 16+1 seats YTH06 (L) optional, diamond checkered large top optional, bullet-train type curtain optional
Seats layout	

Comfortable and Spacious Cabin, Smart Coolness On the Go

- Long wheelbase, few-leaf spring, good handling stability and ride comfort.
- Shock-absorbing driver seat effectively reduces fatigue while driving. Conforms to passengers' physique, enhancing riding comfort.
- Memory foam passenger seat with adjustable backrest up to 20°, providing good support.
- Quick cooling A/C, with fast cooling rate of 16000kcal/h, cools down to 20°C in 20 minutes from ambient temperature of 35°C.
- 1.1m³ large luggage compartment, with optional interior luggage rack, provides abundant storage space.
- Seat USB charging port optional, meeting every passenger's charging needs.



Yutong Bus Co., Ltd.

Yutong Marketing Center, Economic and Technological Development Zone, Zhengzhou, China, Tel: +86 371 6671 8999 Website: www.yutong.com E-mail: sales@yutong.com
Follow us on Facebook & Twitter & YouTube at Yutong Bus & Coach The images may include items of optional equipment and accessories that are not installed as standard.
The product is subject to technical improvement. Yutong reserves the right to change product specifications without prior notice. All rights reserved. April, 2025 Edition.



D7 New Upgrade, Delivering Greater Value



+263 78 130 5796



31 WATTS RD, ARDBENNIE
HARARE, ZIMBABWE





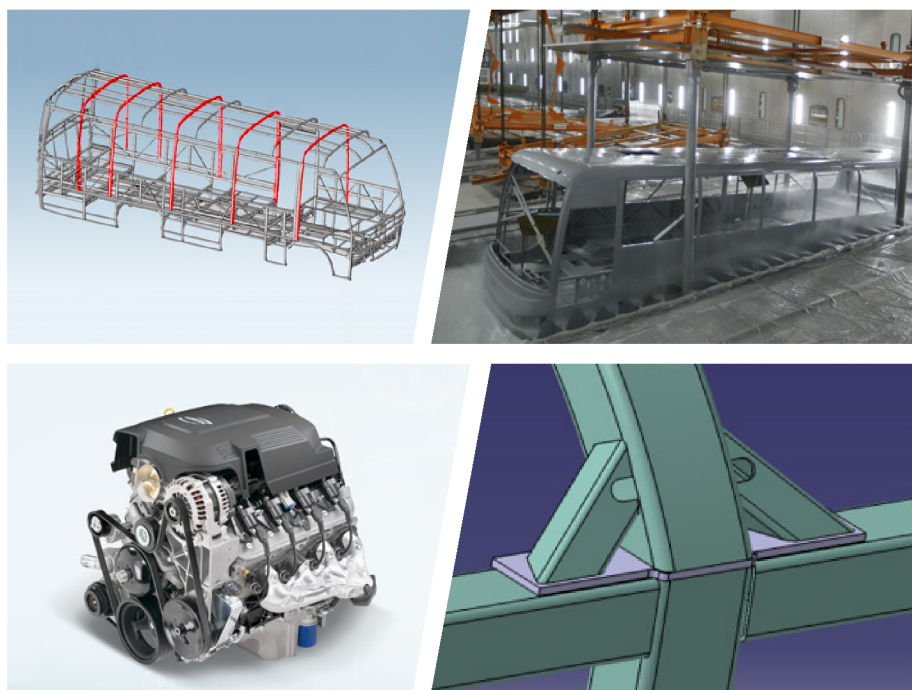
D7

Yutong D7 bus, as Yutong's main model in the global market, delivers versatile performance for passenger transport, business scenario, and tourism operations. With exceptional adaptability to diverse road conditions and climate environments, it has become a widely praised classic model. The new D7 further strengthens the four major advantages of safety and reliability, comfortable driving and riding, convenient maintenance, and strong adaptability, making operations more efficient and worry-free. Yutong also provides flexible customization service to create greater value and more convenience for customers.



Reinventing Exterior & Interior, Dual Advancement in Utility & Aesthetics

The model is refreshed with upgraded styling. Its sharp LED headlights and chromed grille delivers bold sophistication. The spacious and comfortable interior, in combination with the Rhine white trimming dominant tone and fine layout, offers a comfortable driving and riding environment.



Efficient Maintenance , Hassle-Free Convenience

- Removable engine hood: Large access holes are designed at corresponding positions of powertrains such as engine, transmission and axles that are frequently repaired and maintained, improving the convenience of maintenance.
- Front axle disc brake: The brake pads are easy to repair and maintain.
- Split taillight design: Easy maintenance, low cost.



Comprehensive Assurance, Safety Meets Power Performance

- The high-strength steel frame body features a robust closed-ring structure, with enhanced safety, the body deformation is minimized in collisions, effectively protecting the safety of drivers and passengers.
- Yutong boasts the world's largest complete vehicle electrophoretic coating line, with German-imported equipment, offers a no corrosion commitment for over 8 years.
- Powertrain from world-renowned brand is adopted, with improved reliability and durability.
- Long wheelbase greatly improves handling stability and increases the driving safety.
- Leaf springs are made of high stress material, with extended reliability and service life.

All-Terrain Adaptability, Extended Range without Compromise

- Approach angle/departure angle increased to 18°/12°, with enhanced trafficability, adapt to complex road conditions.
- Minimum ground clearance: 170 mm.
- Minimum turning radius: 8 m.
- 120L large fuel tank, theoretical maximum driving range exceeds 500 km.



+263 78 130 5796



31 WATTS RD, ARDBENNIE
HARARE, ZIMBABWE

